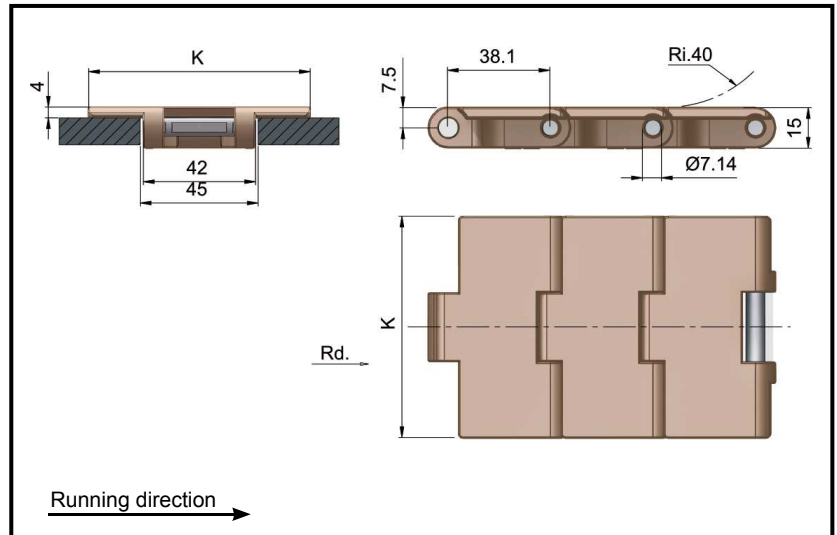
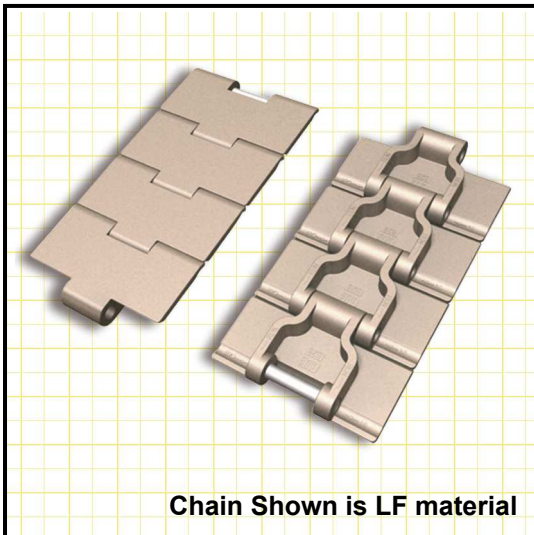
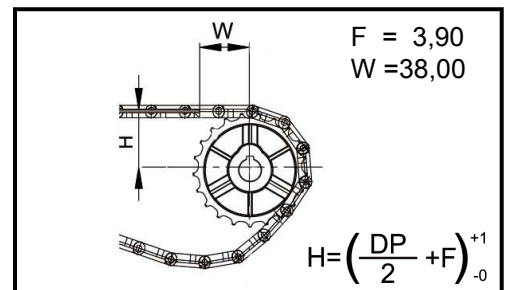


# SERIE 828



COD.	K		Kg/m	Open Surface	RM (mm)	*Ri (mm)
	mm	inch				
**828 325	82,5	3,25	1,01	0%	-	40
**828 330	83,8	3,30	1,02			

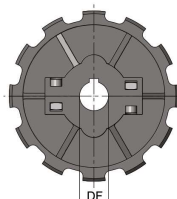
\* Ri: Back-flex Radius



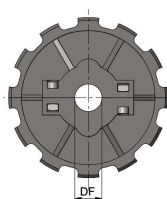
** Prefix	Chain material	Color	Ø Pin (mm)	Standard Pin Material	Minimum Temperature	Maximum Temp.		TT N	FDA Approval
						Dry enviroment	Wet enviroment		
LF	Acetal-LF	Brown	7,14	SS304	-40	+85	+70	2150	✓
KV ●	Acetal-Kevlar	Grey							

## Available types

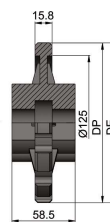
Z	Ø De	Ø Dp
12	147,2	147,21



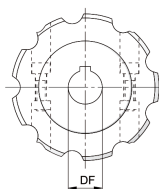
Split Sprocket



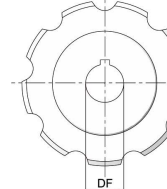
Split Idler Wheel



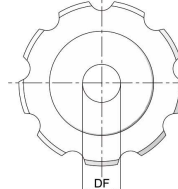
Z	Ø De	Ø Dp
9	108,5	111,4
10	120,5	123,29
11	134	135,23
12	147,2	147,21



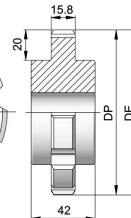
Split Drive Sprocket



Solid Sprocket



Solid Idler Wheel



## Remarks

- Standard packaging 3,048m 10ft.
- ● Made to order
- LF Standard Production
- Other materials available under request